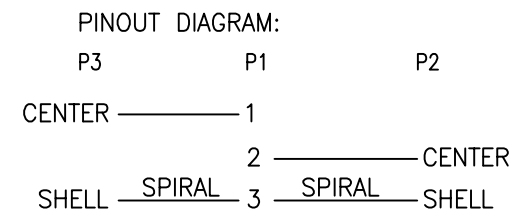
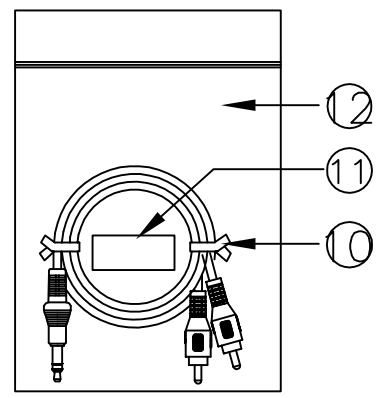
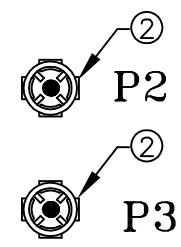


<b>WEIGHT</b>	<b>CUSTOMER NO:</b>	<b>REMARK</b>
63g-K1	TV91	CABLEMATIC



- NOTES:
- 1) P2,P3 DIE NO:OR02002
  - 2) P1 DIE NO:OG02001
  - 3) PRIMARY DIMENSION: A,B
  - 4) 1PCS/PE BAG+LABEL
  - 5) RoHS COMPLIANT.

A	FIRST EDITION	WUZAN	24/12/2010
REV.	ECR	DESCRIPTION	C.N. DATE
THESE DRAWINGS AND SPECIFICATIONS ARE THE PROPERTY OF WIRETEK COMPUTER LIMITED AND SHALL NOT BE REPRODUCED COPIED OR USED IN ANY MANNER WITHOUT THE PRIOR WRITTEN CONSENT OF WIRETEK COMPUTER LIMITED.			
UNLESS OTHERWISE SPECIFIED: DIMENSIONS ARE IN MILLIMETERS ANGULAR TOLERANCE: ±1.0°		TITLE	
DIMENSIONS		TOLERANCE	
0.00 TO 30.00mm		±0.10mm	
30.01 TO 80.00mm		±0.13mm	
80.01 TO 150.00mm		±0.15mm	
150.01mm		±0.20mm	
MATERIAL		PART NO. 2132-1155	
FINISH		SCALE	
MATERIAL		SHEET 1/1	
FINISH		UNIT MM	
		SIZE A4	
		REV. A	